

**Bio-Safety Cabinet
Air Velocity and Air Temperature Sensors**

Features

- Measures air & inert gas velocity and temperature
- Standard flow ranges between 0.15-10 m/s (approximately 30-2000 fpm)
- Temperature measurements from 0-70°C
- Settable Averaging to filter out turbulence
- Digital UART Interface
- Linear 0-4 VDC airflow output from 0 to full-scale
- Wide voltage supply: 7-13VDC
- Ideal for ducted or open airflow applications
- Available in multiple sensor heads
- Wide acceptance angle ($\pm 30^\circ$)



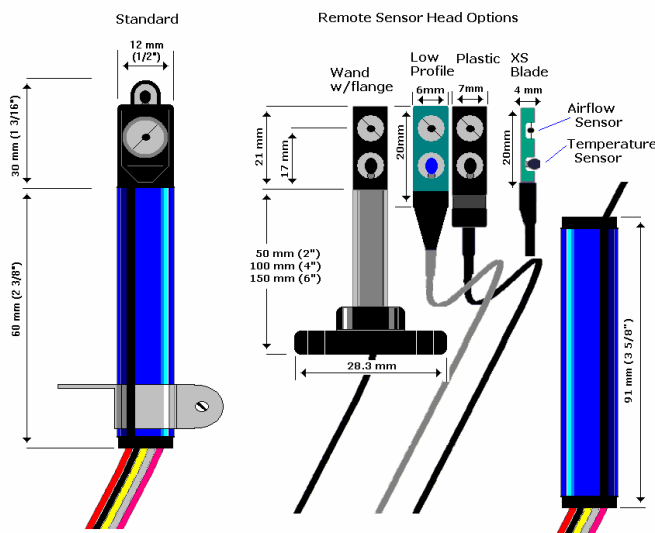
About the F920 B-Series

The F920 B-Series Airflow Sensor is designed to measure the velocity and temperature of airflows in critical containment areas such as biological safety cabinets, fume hoods, and clean rooms.

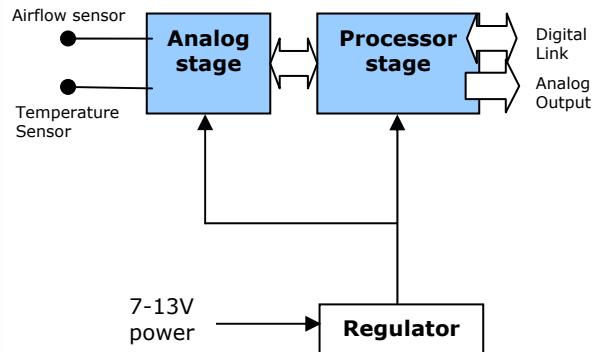
With standard airflow sensing ranges from 0.15-2 m/s (30-400 fpm) to 0.15-10 m/s (30-2000 fpm), depending on the setting, the Series F920 offers unparalleled price to performance, compact size, reliability and resistance to mechanical shock and vibration.

The F920 series has a linear 0-4V output or a digital TTL output depending on the model. The F920 is easy to install and operate. An adjustable mounting bracket is included with the sensor. In addition, the F920 can be ordered with any of the AccuSense remote sensing head options.

F900 Sensor Head Options



Block Diagram of F920



Airflow Measurement

Standard medium is air at standard pressure (101.3 kPa, 29.95" Hg). For altitude compensation and use with other gases, please contact DegreeC.

0.15 - 2 m/s (30 - 394 fpm)

0.15 - 5 m/s (30 - 985 fpm)

0.15 - 10 m/s (30 - 1969 fpm)

Available Airflow Accuracies

15 - 35°C Greater of $\pm 10\%$ of reading or ± 0.05 m/s (10 fpm) or $\pm 1\%$ of full-scale

Output resolution: 4,000 steps.

Repeatability: $\pm 1\%$ under same conditions

Temperature Measurement

Range 0 - 70°C (50 - 140°F)	Available on TTL output only
Accuracy $\pm 1^\circ\text{C}$ above 1 m/s (196 fpm) $\pm 1.5^\circ\text{C}$ below 1 m/s (196 fpm)	Resolution is $\pm 0.1^\circ\text{C}$

Electrical Specifications

Supply Voltage 7-13 VDC	Warm-up Time <5 seconds
Supply Current 40-75 mA	Operating Temperature 0 - 70°C (32-158°F)
Response Time .1 to 1.7 seconds(settable)	Storage Temperature -10 to 100°C
Output is linear 0-4 VDC full scale for calibrated range, up to 4.9V beyond calibrated range (airflow only) or TTL level RS-232 (both airflow & temperature).	

Mechanical Specifications

Dimensions	100 mm long X 12 mm diameter for standard unit, 91 mm X 12 mm for long tube with remote sensor heads
Vibration	Up to 25 G's
Acceptance Angles	Standard, rod w/flange, plastic heads are $\pm 30^\circ$, low-profile is $\pm 45^\circ$, XS blade is $\pm 60^\circ$ from perpendicular

Connection Specifications

Pin 1 Black	Supply Return
Pin 2 Red	Supply 7-13 VDC
Pin 3 White	Analog Airflow Output (0-4Vout) for calibrated range, up to 4.9V beyond calibrated range.
Pin 4 Orange	Digital serial output - 19200 BPS, RS232 protocol, TTL level, 8 bit, 1 stop bit - RXD
Pin 5 Yellow	Digital serial input - 19200 BPS, RS232 protocol, TTL levels, 8 bit, 1 stop bit - TXD
Connector	Molex #22-01-2057 or equivalent

Part Number Format

F920 - V - A - B - S - L

V = Velocity Range

N = 0.15 - 2 m/s

O = 0.15 - 5 m/s

P = 0.15 - 10 m/s

A = Accuracy Specification

10 = Greater of 10% of reading or ± 0.05 m/s or 1% full-scale

B = Body Type

0 = Standard (Default) -short tube
1 = Long tube
(for remote sensor heads)

S = Sensor Head Type (for B = 1 ONLY)

0 = Plastic

1 = Low Profile

2 = 50 mm (2") SS wand /w flange

4 = 100 mm (4") SS wand /w flange

6 = 150mm (6") SS wand /w flange

9 = XS Blade

L = Sensor Cable Length (for B = 1 ONLY)

2 = 2 m

User Manual available at www.degreeC.com